

DREAMSDESIGN

Pressure Regulators SR Series



M³CRO[®] Pressure Regulator

Technical Features



Material	Aluminum HR
Treatment	Anodized (4 color of your choice)
Input Pressure	From 1 to 12 MPa
Output Pressure	Adjustable (see configuration)
Gauges	No - Indication of output pressure
Safety (*)	APV ³ Overpressure
Connect. Cartridge	M11x1 / DIN / ACME (see configuration)
Output	1/8" F
Flow Rate	12 NL/min
Weight	90/170* g (3,2/6,0* oz) (*) with DIN adapter

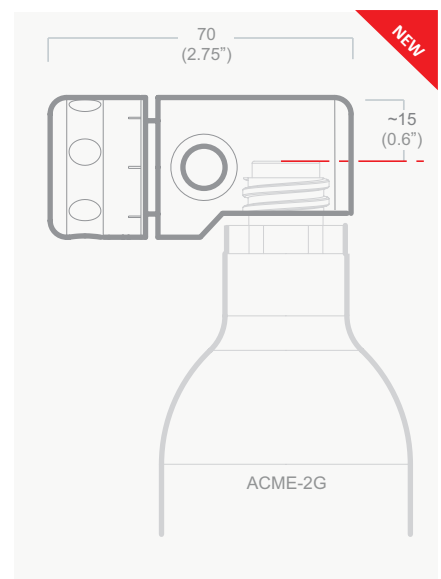
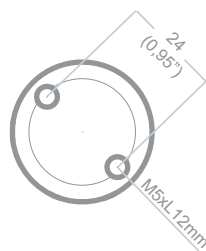
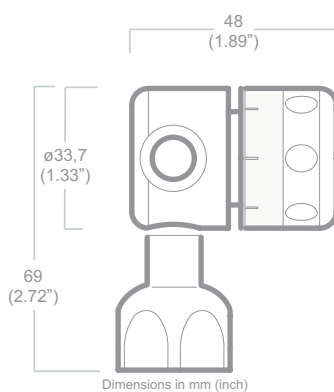
(*) The pressure reducers are not to be understood as a safety accessory according to PED Directive (2014/68/CE)

Configuration (order code)



4 Color of your choice

Model	Output	Connection	Holes for bracket	Material	Color
9052 0	6	-C	1	1	G
0-Adjustable	1-1,5 Bar	A-M10x1	0-No	1-AL7075	B-Black
1-Preset	2-2,5 Bar	B-M10x1,25	1-Yes		G-Grey
	4-4,0 Bar	C-M11x1			R-Red
	6-6,0 Bar	E-21,8x1/14"			T-Turquoise
	8-8,0 Bar	F-.825" 14			
		T-ACME 2G			
		V-CGA320			



SK 445-001

The pressure reducers SR series are:

- Complies to EU Regulations (EC) No. 1935/2004 and (EU) No. 10/2011 regarding the certification of the materials in contact with food (Food Contact Compliance).
- Complies with UL Standard 252 (Compressed Gas Regulators) for the North American market (Micro ACME).
- Complies with the DIN 6650-5:214/12 (SK) regarding draft drink dispensing system (water carbonation machines).

SR **00**

Pressure Regulator



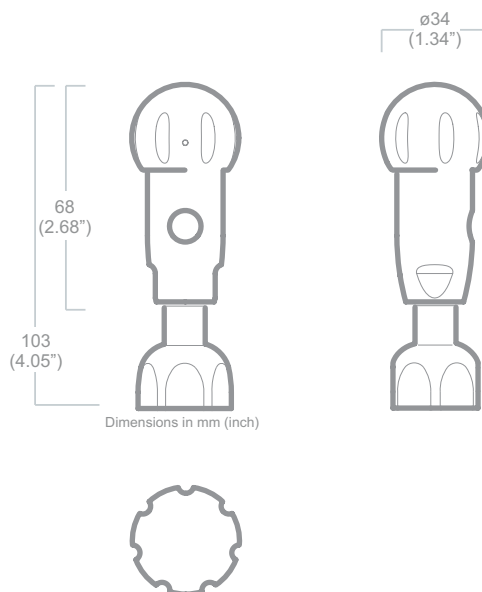
Technical Features

Material	Aluminum HR
Treatment	Anodized (knob 4 color of your choice)
Input Pressure	From 1 to 12 MPa
Output Pressure	Adjustable (see configuration)
Gauges	No
Safety (*)	APV Overpressure
Connect. Cartridge	M11x1/DIN (see configuration)
Output	1/8" F
Flow Rate	10 NL/min
Weight	90/170* g (3,2/6,0* oz) (*)with DIN adapter

(*) The pressure reducers are not to be understood as a safety accessory according to PED Directive (2014/68/CE)

Configuration (order code)

Model	Output	Connection	Gauges	Material	Color
9051 1	6	-C	0	1	B
0-Preset	1-1,5 Bar	A-M10x1	0-No	1-AL7075	B-Black
1-Adjustable	2-2,5 Bar	B-M10x1,25			G-Grey
	4-4,0 Bar	C-M11x1			R-Red
	6-6,0 Bar	D-5/8-18UNF			T-Turquoise
		E-21,8x1/14"			
		F-.825" 14			



The pressure reducers SR series are:

- Complies to EU Regulations (EC) No. 1935/2004 and (EU) No. 10/2011 regarding the certification of the materials in contact with food (Food Contact Compliance).



SR 02 90 Pressure Regulator

Technical Features

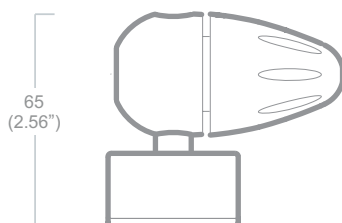
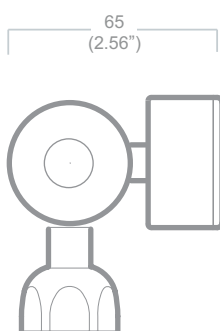
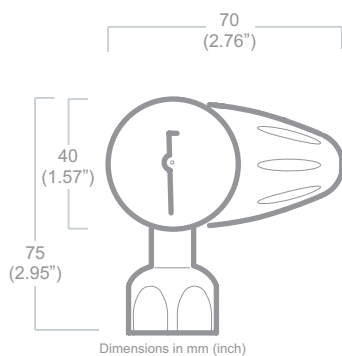
Material	Aluminum HR
Treatment	Anodized (4 color of your choice)
Input Pressure	From 1 to 16 MPa
Output Pressure	Adjustable (see configuration)
Gauges	Low Pressure
Safety (*)	APV ² Overpressure
Connect. Cartridge	M11x1 / DIN / ACME (see configuration)
Output	1/8" F
Flow Rate	15 NL/min
Weight	140/260 g (4,9/9,2 oz) actual weight varies by configuration

(*) The pressure reducers are not to be understood as a safety accessory according to PED Directive (2014/68/CE)



Configuration (order code)

Model	Output	Connection	Gauges	Material	Color
9054 0	6	-L	0	1	G
0-Adjustable	1-1,5 Bar	L-M11x1	0-No	1-AL7075	B-Black
1-Preset	2-2,5 Bar	Y-21,8x1/14"	1-LP	2-AISI 316	G-Grey
	4-4,0 Bar	F-.825" 14		3-OT58	R-Red
	6-6,0 Bar	T-ACME 2G			T-Turquoise



SK 445-002

The pressure reducers SR series are:

- Complies to EU Regulations (EC) No. 1935/2004 and (EU) No. 10/2011 regarding the certification of the materials in contact with food (Food Contact Compliance).
- Complies with the DIN 6650-5:214/12 (SK) regarding draft drink dispensing system (water carbonation machines).

SR **02** ADV Pressure Regulator



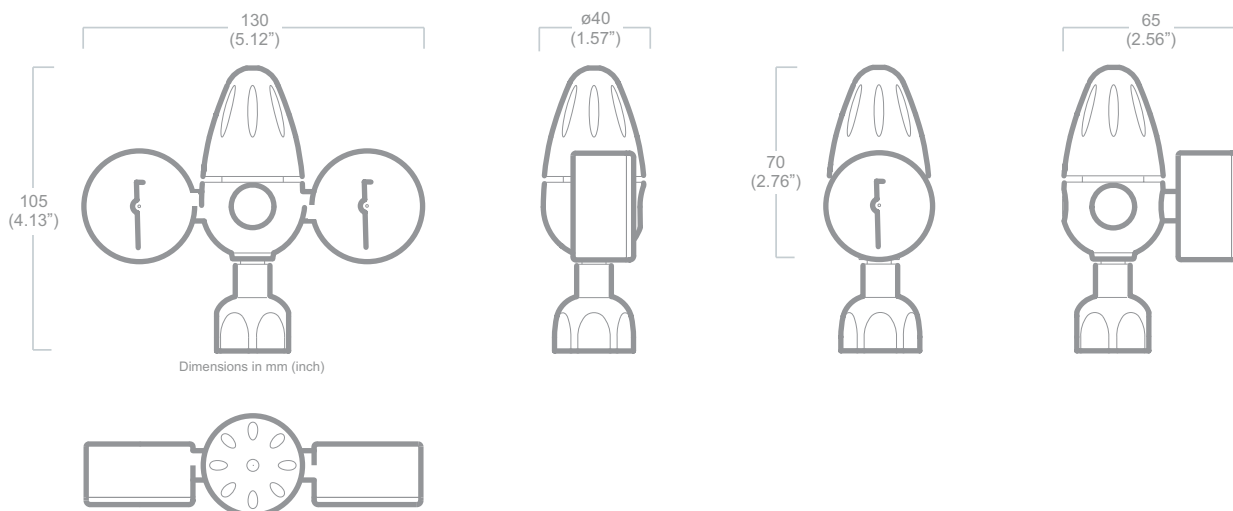
Technical Features

Material	Aluminum HR
Treatment	Anodized (4 color of your choice)
Input Pressure	From 1 to 16 MPa
Output Pressure	Adjustable (see configuration)
Gauges	Low and High Pressure
Safety	APV ² Overpressure
Connect. Cartridge	M11x1/DIN (see configuration)
Output	1/8" F
Flow Rate	15 NL/min
Weight	140/300 g (4,9/10,6 oz) actual weight varies by configuration

(*) The pressure reducers are not to be understood as a safety accessory according to PED Directive (2014/68/CE)

Configuration (order code)

Model	Output	Connection	Gauges	Material	Color
9054 0	6	-E	3	1	G
0-Adjustable	1-1,5 Bar	A-M10x1	0-No	1-AL7075	B-Black
1-Preset	2-2,5 Bar	B-M10x1,25	1-LP	2-AISI 316	G-Grey
	4-4,0 Bar	C-M11x1	2-HP	3-OT58	R-Red
	6-6,0 Bar	D-5/8-18	3-LP/HP		T-Turquoise
	8-8,0 Bar	E-21,8x1/14"			
		F-.825" 14			
		S-ACME-2G			



- The pressure reducers SR series are:
- Complies to EU Regulations (EC) No. 1935/2004 and (EU) No. 10/2011 regarding the certification of the materials in contact with food (Food Contact Compliance).
 - Complies with the DIN 6650-5:214/12 (SK) regarding draft drink dispensing system (water carbonation machines).

SR **03** ADV Pressure Regulator

Technical Features



Material	Aluminum HR
Treatment	Anodized (knob 4 color of your choice)
Input Pressure	From 1 to 16 MPa
Output Pressure	Adjustable (see configuration)
Gauges	Low and High Pressure
Safety (*)	APV Overpressure
Connect. Cartridge	M10x1/DIN (see configuration)
Output	1/8" F
Flow Rate	12 NL/min
Weight	160/320 g (5,6/11,3 oz) actual weight varies by configuration

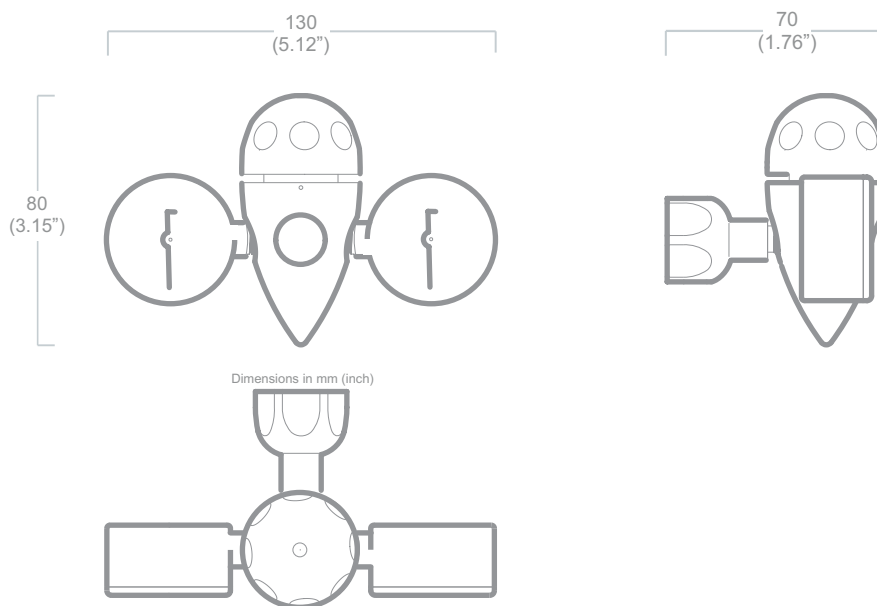
(*) The pressure reducers are not to be understood as a safety accessory according to PED Directive (2014/68/CE)

Configuration (order code)

Model	Output	Connection	Gauges	Material	Color
9056 0	4	-E	3	1	G
0-Adjustable	1-1,5 Bar	A-M10x1	0-No	1-AL7075	B-Black
1-Preset	2-2,5 Bar	B-M10x1,25	1-LP	2-AISI 316	G-Grey
	4-4,0 Bar	C-M11x1	2-HP	3-OT58	R-Red
	6-6,0 Bar	E-21,8x1/14"	3-LP/HP		T-Turquoise
		F-.825" 14			



4 Color of your choice



The pressure reducers SR series are:

- Complies to EU Regulations (EC) No. 1935/2004 and (EU) No. 10/2011 regarding the certification of the materials in contact with food (Food Contact Compliance).

SR 02 EV Pressure Regulator

Technical Features



Material	Aluminum HR
Treatment	Anodized (4 color of your choice)
Input Pressure	From 1 to 16 MPa
Output Pressure	Adjustable (see configuration)
Gauges	Low Pressure (ø25 mm)
Solenoid Valve	NC Inside
Safety (*)	APV ² Overpressure + Temp. Switch
Connect. Cartridge	5/8 - 18 UNF (see configuration)
Output	1/8" F
Flow Rate	15 NL/min
Weight	240/600 g (8,5 oz / 1,32 lb) actual weight varies by configuration

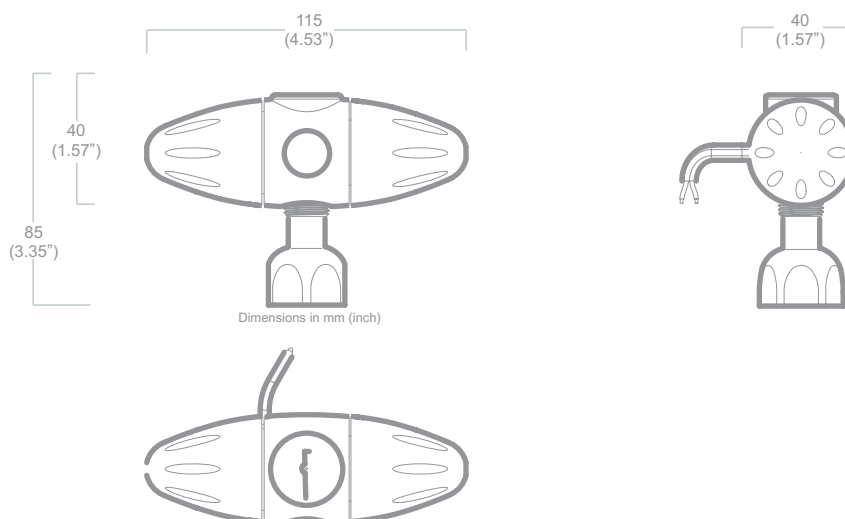
(*) The pressure reducers are not to be understood as a safety accessory according to PED Directive (2014/68/CE)

Configuration (order code)

Solenoid Valve	Output	Connection	Gauges	Material	Color
9055 1	4	-E	1	1	G
1-12VAC	1-1,5 Bar	A-M10x1	0-No	1-AL7075	B-Black
2-24VDC	2-2,5 Bar	B-M10x1,5	1-LP	2-AISI 316	G-Grey
3-115VAC	4-4,0 Bar	C-M11x1		3-OT58	R-Red
4-230VAC	6-6,0 Bar	D-5/8-18			T-Turquoise
5-12VDC		E-21,8x1/14"			
		F-.825" 14			



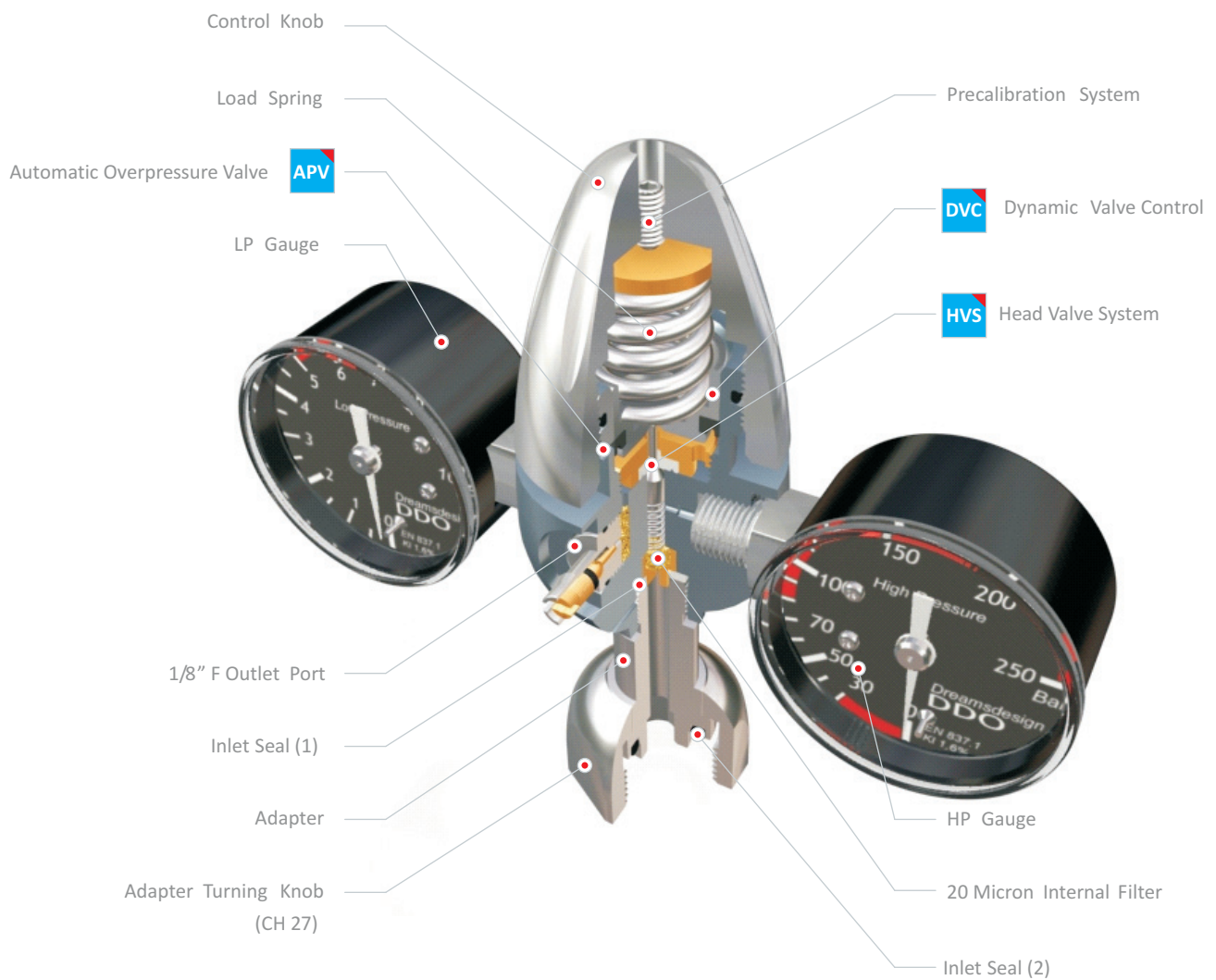
4 Color of your choice



The pressure reducers SR series are:

- Complies to EU Regulations (EC) No. 1935/2004 and (EU) No. 10/2011 regarding the certification of the materials in contact with food (Food Contact Compliance).

Pressure Regulators High Technology

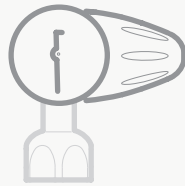


Pressure Regulators Features Comparison Chart

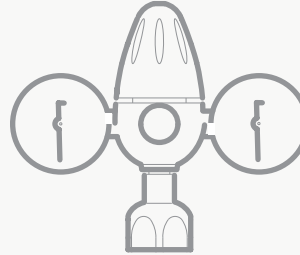
SR **02** 90

SR **02** ADV

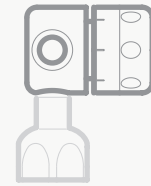
MICRO



90540x -L(T) SR-02



90540x -E SR-02 ADV



90520x-C MICRO

Material	Aluminum HR (2)	Aluminum HR (2)	Aluminum HR (2)
Processing	CNC	CNC	CNC
Treatment	Anodised (1) 	Anodised (1) 	Anodised (1)
Input Pressure	From 1 to 16 MPa	From 1 to 16 MPa	From 1 to 12 MPa
Output Pressure	Adjustable	Adjustable	Adjustable
Range	From 0,15 to 0,6 MPa (4)	From 0,15 to 0,6 MPa (4)	From 0,15 to 0,6 MPa (4)
Gauges	LP	LP and HP	No - Indication of output pressure
Safety (*)	APV Overpressure / Unscrewing	APV Overpressure / Unscrewing	APV Overpressure / Unscrewing
Cylinder Connection	M11x1 / DIN / ACME See table (3)	See table (3)	See table (3)
Output	1/8" F	1/8" F	1/8" F
Flow Rate	15 NL/min	15 NL/min	12 NL/min
Dimensions (mm)	70 x 40(75) x 65	130 x 65(105) x 40	48 x ø34
Weight	140/260 g (4,9/9,2 oz)	140/300 g (4,9/10,6 oz)	90 g (3,2 oz)
Type of Operation	DVC Dynamic Valve Control	DVC Dynamic Valve Control	DVC Dynamic Valve Control
Input Valve	Inox AISI 316	Inox AISI 316	Inox AISI 316
Main Seal	HVS PE HD	HVS PE HD	HVS PE HD
Microfilter	●	●	●
Spring	Inox	Inox	Inox
Knob	Anodised Aluminum	Anodised Aluminum	Anodised Aluminum
Customization	● Laser marking + 4 Color	● Laser marking + 4 Color	● Laser marking + 4 Color

(*) The pressure reducers are not to be understood as a safety accessory according to PED Directive (2014/68/CE)

● =Yes ○ =No

- (1) A choice of 4 color _____
- (2) On request AISI 316 or OT58 _____
- (3) Other on request _____
- (4) Other on request _____

Model	Output	Connection	Gauges	Material	Color
905x0	4	-E	3	1	R
0-Adjustable	1 -1,5 Bar	A-M10x1	0-No	1-AL7075	B-Black
1-Preset	2-2,5 Bar	B-M10x1,25	1-LP	2-AISI 316	G-Grey
		C-M11x1	2-HP	3-OT58	R-Red
		D-5/8-18	3-LP/HP		T-Turquoise
		E-21,8x1/14"			
		F-.825" 14			
		S-ACME 2G			
		T-ACME 2G ⁹⁰			

Example coding



SK-Zert

Design entirely created in Dreamsdesign.
© 2023 Dreamsdesign srl. All right reserved.
Dreamsdesign is a registered trademark and Dreams
Is a trademark of Dreamsdesign srl.

info@dreamsdesign.it
www.dreamsdesign.it