

M³CRO[®] Pressure Regulator

Technical Features



Material	Aluminum HR
Treatment	Anodized (4 color of your choice)
Input Pressure	From 1 to 13 MPa
Output Pressure	Adjustable (see configuration)
Gauges	No - Indication of output pressure
Safety (*)	APV ³ Overpressure
Connect. Cartridge	M11x1 / DIN / ACME (see configuration)
Output	1/8" F
Flow Rate	12 NL/min
Weight	90/170* g (3,2/6,0* oz) (*) with DIN adapter

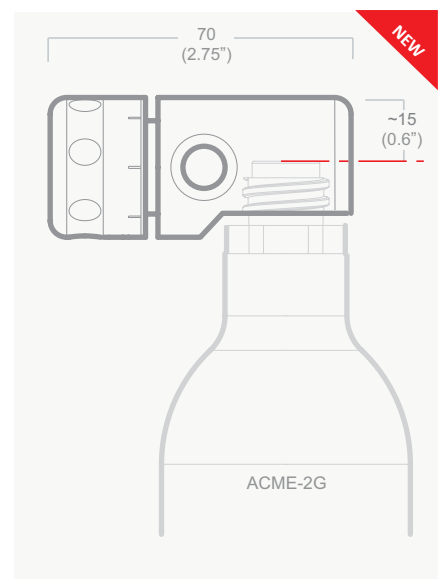
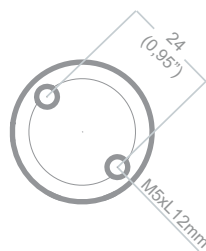
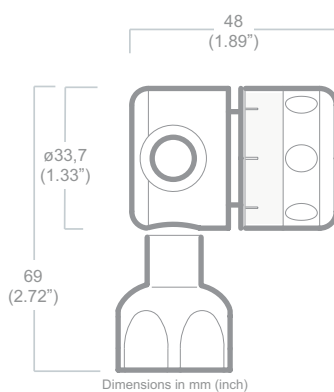
(*) The pressure reducers are not to be understood as a safety accessory according to PED Directive (2014/68/CE)

Configuration (order code)



4 Color of your choice

Model	Output	Connection	Holes for bracket	Material	Color
9052 0	6	-C	1	1	G
0-Adjustable	1-1,5 Bar	A-M10x1	0-No	1-AL7075	B-Black
1-Preset	2-2,5 Bar	B-M10x1,25	1-Yes		G-Grey
	4-4,0 Bar	C-M11x1			R-Red
	6-6,0 Bar	E-21,8x1/14"			T-Turquoise
	8-8,0 Bar	F-.825" 14			
		T-ACME 2G			
		V-CGA320			



SK 445-001

The pressure reducers SR series are:

- Complies to EU Regulations (EC) No. 1935/2004 and (EU) No. 10/2011 regarding the certification of the materials in contact with food (Food Contact Compliance).
- Complies with UL Standard 252 (Compressed Gas Regulators) for the North American market (Micro ACME).
- Complies with the DIN 6650-5:214/12 (SK) regarding draft drink dispensing system (water carbonation machines).